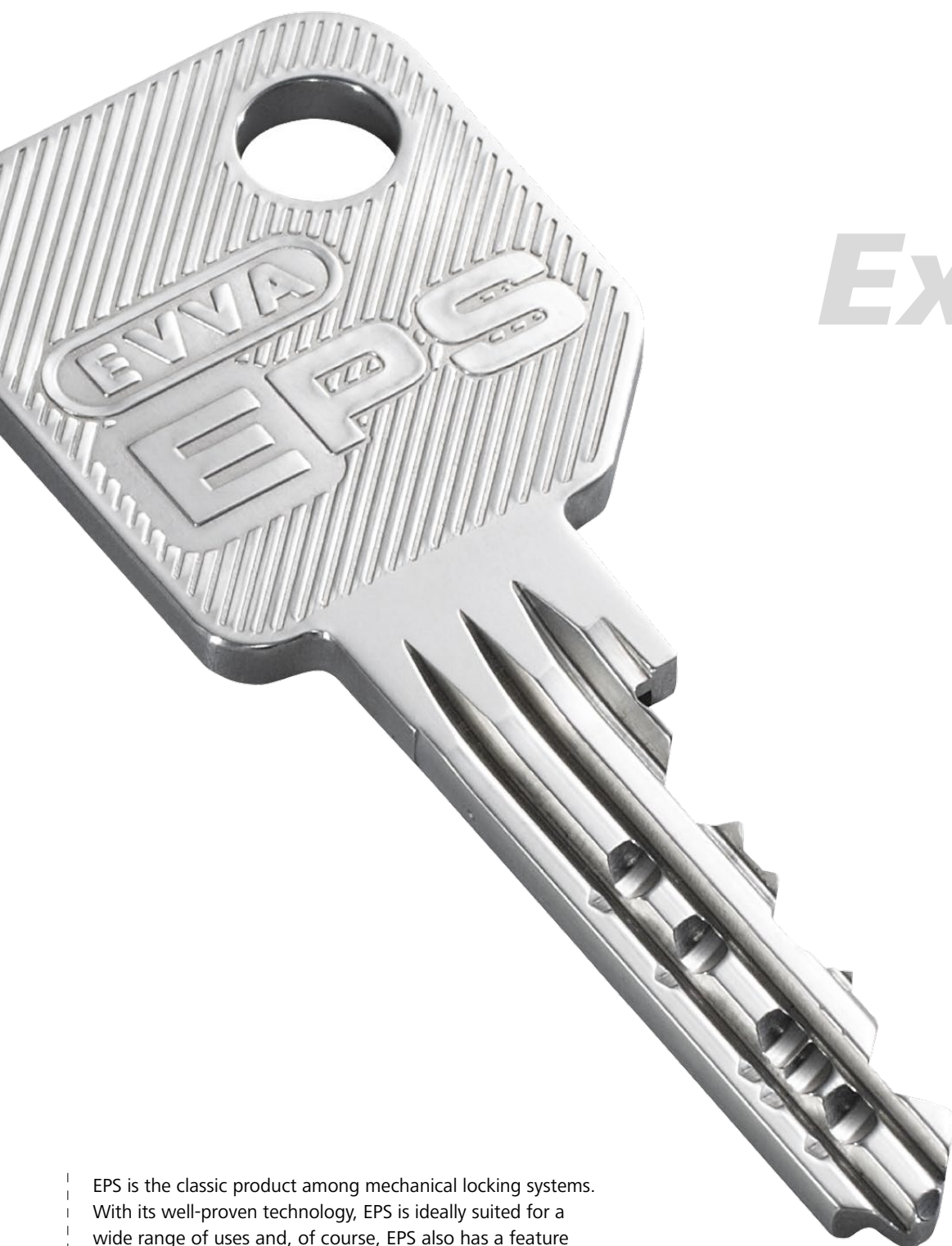


# EPS

The trusted system for affordable security

**EPS** | patented technology & versatile use



*Extend*

EPS is the classic product among mechanical locking systems. With its well-proven technology, EPS is ideally suited for a wide range of uses and, of course, EPS also has a feature unique to EVVA: the distinctive side codes and the associated manipulation control ensure a higher level of security.

**The benefits of EPS at a glance**

- › for locking systems with a distinct structure
- › integrated manipulation control
- › wear resistant design
- › in compact and modular version (SYMO)
- › patent protection until 2026

# ed Profile System

» Three security levels for a wide range of requirements «



## EPS | reliable security

EPS is ideal for locking systems with structures and user groups as they can be found on doors within residential complexes or office buildings.

The system offers extensive expansion capabilities without reducing security.

### Projects implemented with EPS

In cooperation with qualified EVVA partners, EVVA has been fitting security technology in a wide variety of buildings throughout Europe for decades. Benefit from this experience:

### Überseequartier Hamburg | Germany

Over 300 apartments, more than 100 offices and approx. 30 shops are equipped with the EPS system in the 'HafenCity'. That amounts to 2,000 EPS cylinders for seven different building complexes.

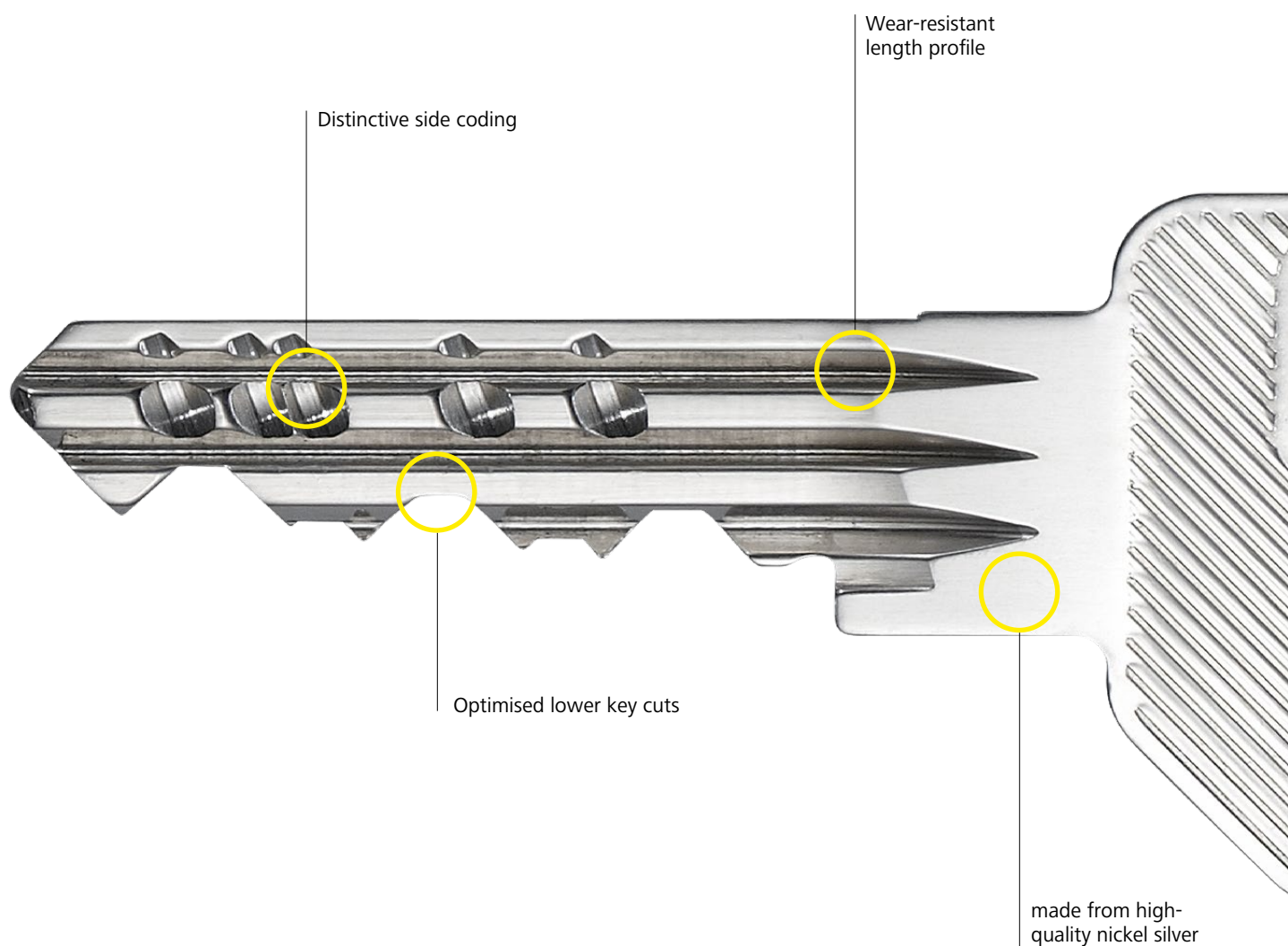
### Warner Bros. Studios | UK

The studios spanning 50,000 m<sup>2</sup> are frequented by up to 5,000 visitors every day and are equipped with 441 EPS cylinders.

More reference projects are available at [www.evva.com](http://www.evva.com)



## EPS key | established technology

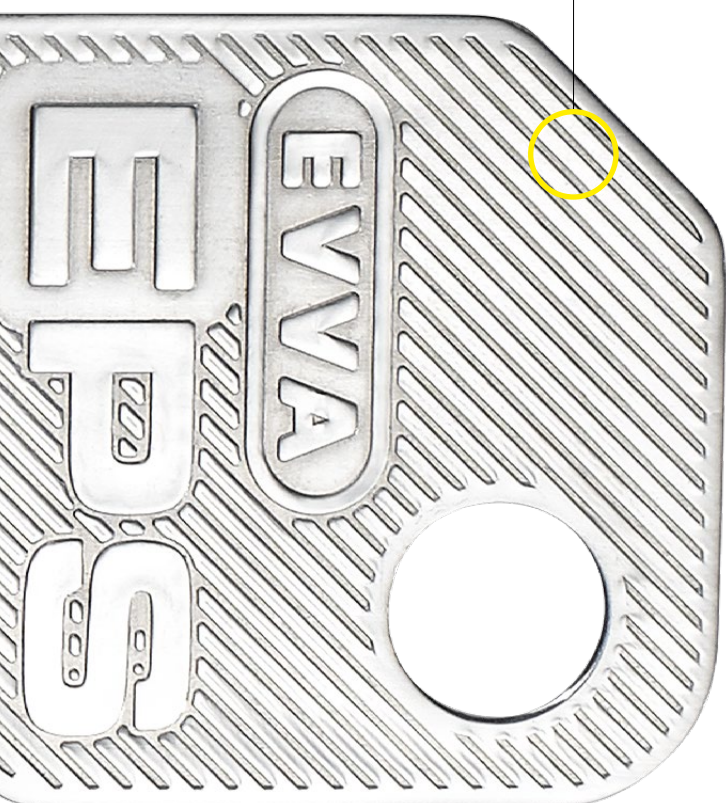


## One key | many features

The EPS key is a strong nickel silver key with a large key cross-section. This makes it wear-resistant and long-lasting. The distinctive side coding and associated integrated manipulation control make it even more secure. Thanks to the robust length profile and optimised lower milling grooves, the EPS key is particularly easy to insert.

The original EPS key is produced exclusively by EVVA and is only available at EVVA partners.

Optimal grip and ergonomics



#### The ergonomic design key bow

EPS keys are optionally available with the new, ergonomic and high-quality design key bow. The attractive design is available in black, red and blue.

#### Benefits

- › Easier to distinguish the keys
- › Simple management of locking systems thanks to colour allocation
- › High quality for improved haptics



## EVVA | Unique security

EVVA is constantly investing in research and is always working to develop new key technologies. This means that EVVA always meets the increasing requirements for security and organisation.

The technology of the EPS system offers three different levels of protection against key copying, illegal copy keys and key manipulations:

#### Increased security with the EVVA security card

Copy keys, additional cylinders and lock charts are only available at an authorised EVVA partner and only with relevant proof of legitimacy, i.e. the EVVA security card.

#### Legal protection through long patent protection

Commercial manufacturing of EVVA keys takes place exclusively at EVVA and EVVA partners. All EVVA products are only available at authorised EVVA partners.

EVVA prevents EPS keys from being produced without authorisation by adding patented features on the key. EVVA can take legal action if it is discovered that a key copy has been commercially produced without authorisation. The patent protection for the EPS system is valid until 2026.

#### Technical protection with the necessary specialist knowledge

The technical features of a EPS key require extensive specialist knowledge and specialist machinery for production. Illegal fabrication is only possible with a great deal of expenses.

# EPS cylinders | patented technology for reliable security

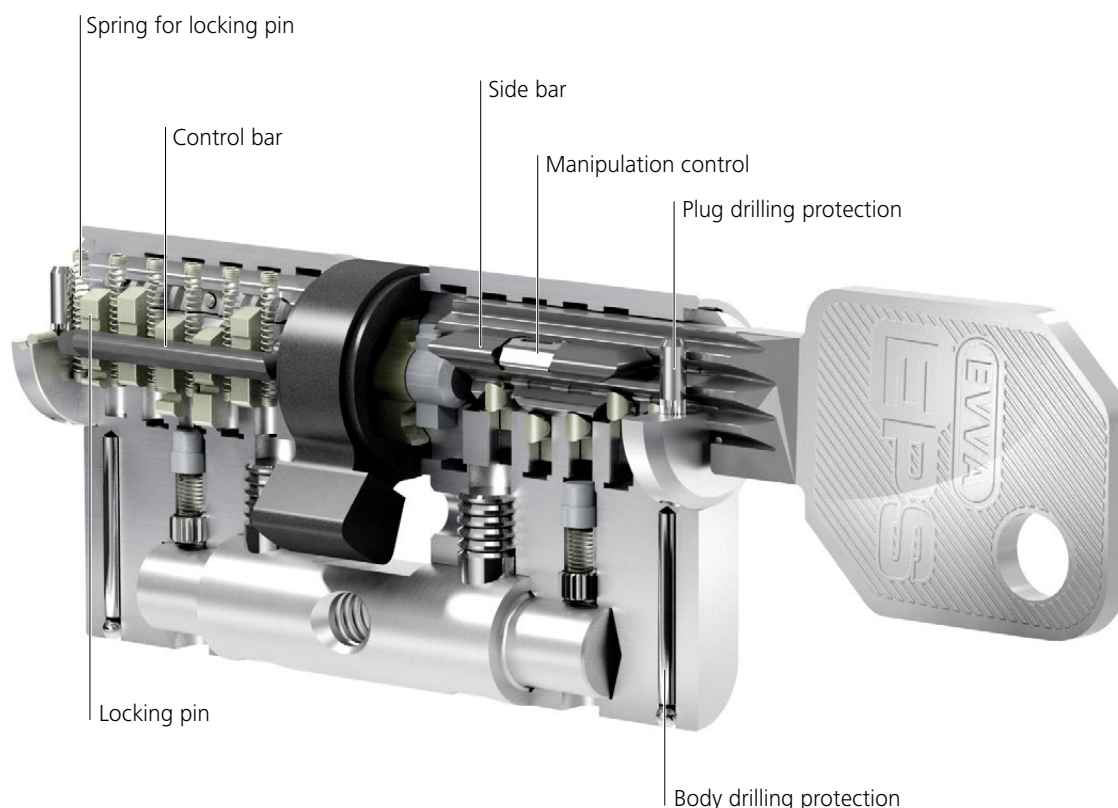


Modular version (SYMO)

## One cylinder | many details

EPS is a spring-loaded pin system with 5 or 6 active, spring-loaded scanning elements and offers up to 20 additional side codings. The cylinder's integrated manipulation control in the cylinder and dual-action locking pins offer a high level of security.

The EPS cylinder is manufactured in compact and modular design (SYMO). It is also possible to combine compact and modular cylinders within one master key system. The modular version offers the possibility to adapt the EPS cylinder to the relevant door requirements directly on-site. The modular EPS cylinder can also be customized with specific functions on-site (e.g. external key override). This saves time and money!



## In any situation | more protection

The reliable technology of the EPS cylinder offers lasting protection against illegal opening methods:

### Drilling protection

Hardened steel elements are standard for protection against drilling. The EPS cylinder is also available with enhanced drilling protection in the form of hard metal elements.

### Picking and scanning protection

The picking protection makes it impossible to detect the scanning positions in the cylinder. Therefore the EPS cylinder is harder to open with specialist tools. In the compact design, the EPS cylinder is protected from picking and scanning with mushroom pins. In the SYMO version, locking pins have additional hidden gates in order to grant higher protection.

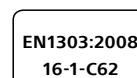
### Optional pulling protection

Special hard metal pins offer resistance against pulling the cylinder and plug in accordance with standards.

### EPS cylinder options

Different options and requirements are often called for within a locking system.

The EPS options make it possible: External key override function; emergency and override function on both sides; knob and anti-blocking function; vario function (compact design); dust protection; free-wheel function; cogwheel cam and much more.



Opt. Ziehschutz



**[www.evva.com](http://www.evva.com)**

┌

┐

┌ Handed over by

┐